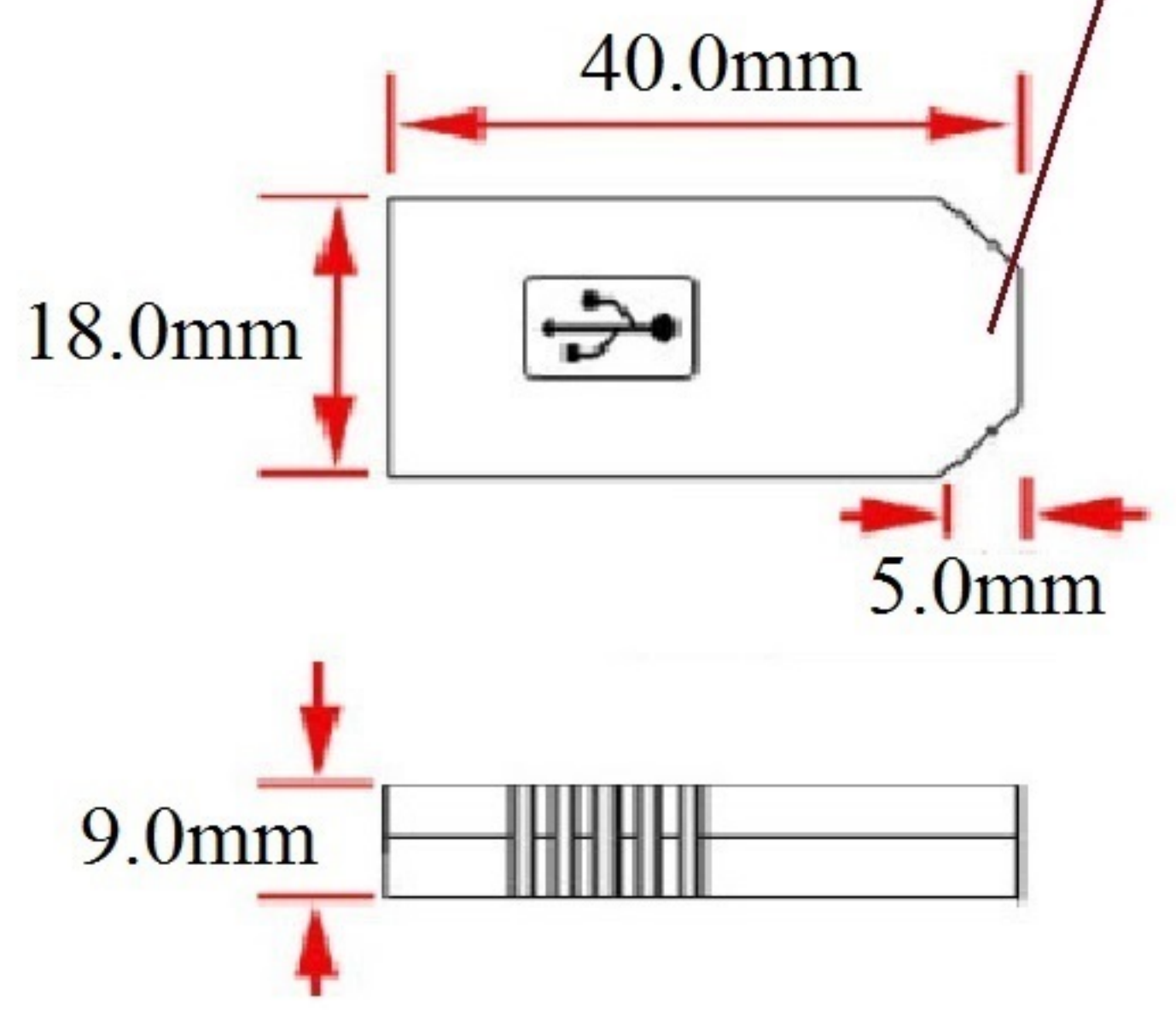
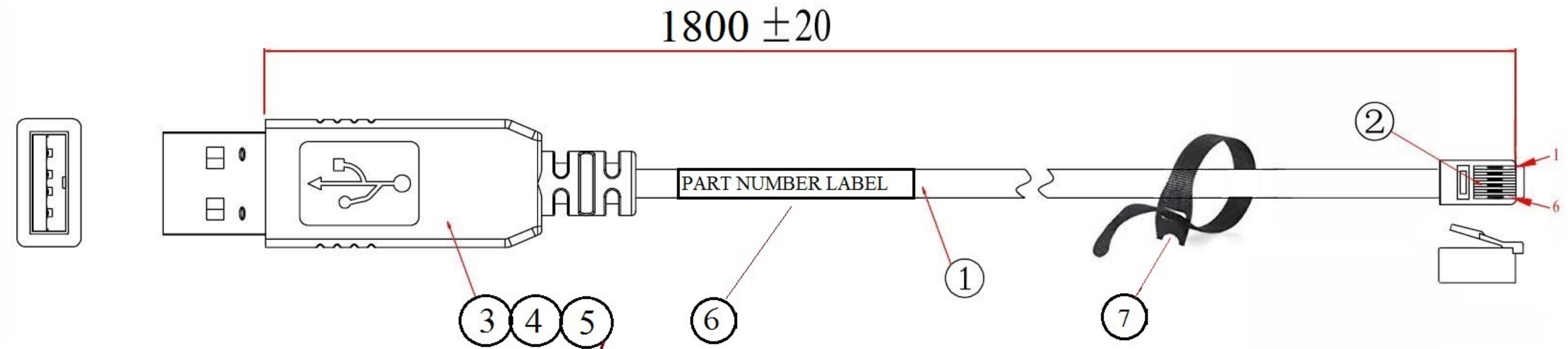


ECN	REV	DESCRIPTION	DATE



RJ12 6P6C Pinout(PC side)

Pin #1 - NC	Pin #2 - TXD(wht)
Pin #3 - GND(Blk)	Pin #4 - NC
Pin #5 - RXD(Grn)	Pin #6 - NC

DRIVER DOWNLOAD
<http://elestream.com/support>

NO	QTY	Unit	Description
7	1	PCS	VELCRO CABLE TIE
6	1	PCS	LABEL, VINYL
5	1	PCS	ABS HOUSING, BLACK, ROHS
4	1	PCS	USB TYPE A MALE, GOLD PLATED CONTACT, ROHS
3	1	PCS	PCBA WITH PL2303TA+MAX3232 CHIP, USB RS232, ROHS
2	1	PCS	RJ11 MALE, 6P6C, GOLD PLATED CONTACTS
1	1	PCS	7/0.12BC*6C, COPPER, PVC JACKET, Length: 1800mm

SHEET	DIMENSION	APPROVALS	DATE
1 OF 1	mm	APPROVED:	2015-9-11
DWG NO.	REV.	CHECKED:	
015-020001	A1	CHECKED:	
		DRAWN:	

Title: USB RS232-RJ12 6P6C cable
 Part NO: CBL-USB-COPLEYRJ11 REV. A0

